

GCL Photovoltaic Module

GCL-P6-60-235/240/245

GCL branded modules can be used for both off-grid and on-grid applications. With high-yield efficiency and long-term performance they are ideal for utility, commercial or residential roof-top installations. GCL stands behind the modules with superior manufacturing, quality control and design.

Features

- GCL is a virtually vertically integrated company from the wafers all the way to solar farm. With GCL guaranteed wafers the quality is carried all the way through the product and will provide lasting power over the 25 year warranty.
- GCL has the largest market cap in the PV industry. GCL has been in power generation business 20 years and is going to be here standing behind the warranty for 25 years more.
- GCL modules decrease installation time and costs with our standard Easy-installation compatible frames.

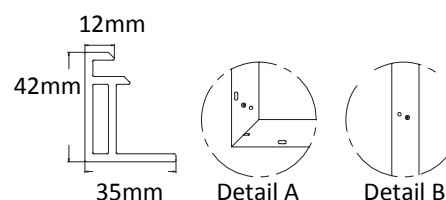
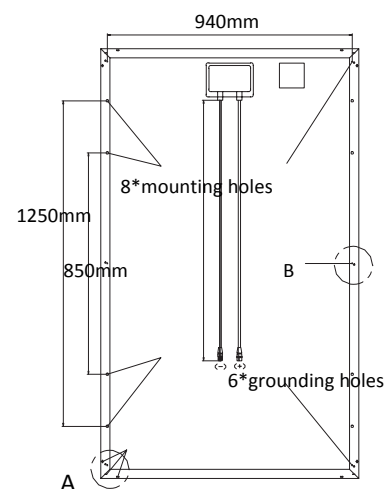
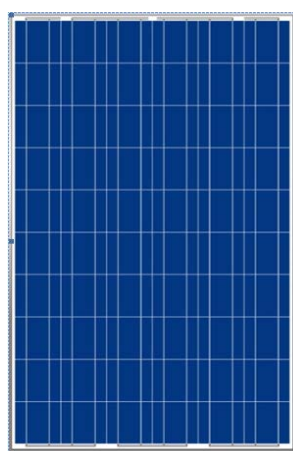
Performance Overview

- Industry leading positive power tolerance from 0 to 5W. Module efficiencies as high as 15.5%
- Certified to withstand snow loads up to 5400Pa
- 10-year product workmanship warranty and 25-year linear power output warranty

About GCL

Established in 1990 with its headquarters in Shanghai, GCL is world's leading supplier of high-quality and low-cost polysilicon and wafer. GCL is also China's largest private IPP and major green energy supplier, operating cogeneration (coal-fired, gas and biomass-fueled), solid waste incineration, wind and solar power plants. GCL's other businesses include LED, energy storage systems, property/construction, mining and investments. GCL was selected as one of the most Innovative Chinese Companies 2010 by Fortune Magazine

Dimension 1650mm*990mm



Quality Certifications





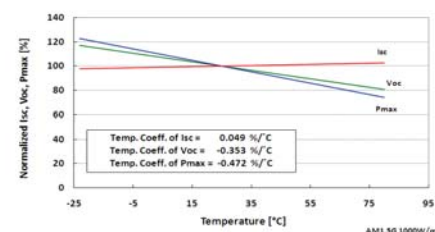
Electrical Data

TYPE	GCL-P6-60-235	GCL-P6-60-240	GCL-P6-60-245
Rated Maximum Power at STC (W)	235	240	245
Open Circuit Voltage (Voc/V)	36.82	36.96	37.10
Maximum Power Voltage (Vmp/V)	29.71	30.20	30.65
Short Circuit Current (Isc/A)	8.44	8.49	8.54
Maximum Power Current (Imp/A)	7.91	7.97	8.02
Module Efficiency [%]	14.4	14.7	15.0
Power Tolerance(W)		0~+5	
α_{Isc} (%/°C)		+0.049	
β_{Voc} (%/°C)		-0.353	
γ_{Pmp} (%/°C)		-0.472	

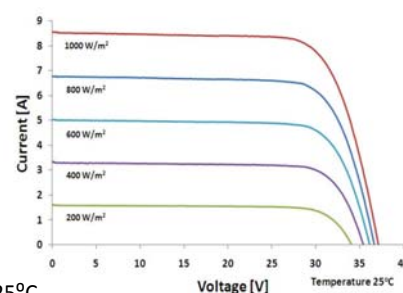
Standard Test Conditions: Irradiance of 1000W/ m², spectrum AM 1.5 and cell temperature of 25°C

I-V Curve

Dependence on Temperature



Dependence on Irradiance



Mechanical Parameters

Cell (mm)	Poly 156×156, Delsolar
Weight (kg)	19.50
Dimensions (L×W×H)(mm)	1650 x990×42
Cable Length (mm)	≥1000
Cable cross section size (mm ²)	4
No. of cells and connections	60 (10×6)
Packing configuration	24pcs./Pallet
Module Pieces per Container (40 ft. HQ)	650 pcs

Working Conditions

Maximum Sytem Voltage	DC 1000(TüV) / 600V(UL)
Operating Temp	-40°C~+85°C
Maximum Series Fuse	15 A
Max.Wind Load/Max.Snow Load	2400Pa / 5400Pa
Grounding conductivity	<0.1Ω
NOCT	47±2°C
Application Class	Class A
Insulation Resistance	≥100MΩ

Contact GCL

● China Headquarter

Address: 7F, International Financial Centre, Times Square, Huachi Street, SIP Suzhou, Jiangsu, China, P.C: 215028
 System_sales@gcl-power.com Tel: +86 512-6696-7288

● USA Headquarter

GCL Solar Solutions Inc., address: One Market Plaza, Steurt Tower, Ste 1800 San Francisco, CA 94105
 System_sales@gcl-power.com Tel: +1 415-362-2601